



# BUU: ETAT Smart Lab

## Smart Factory 4.0

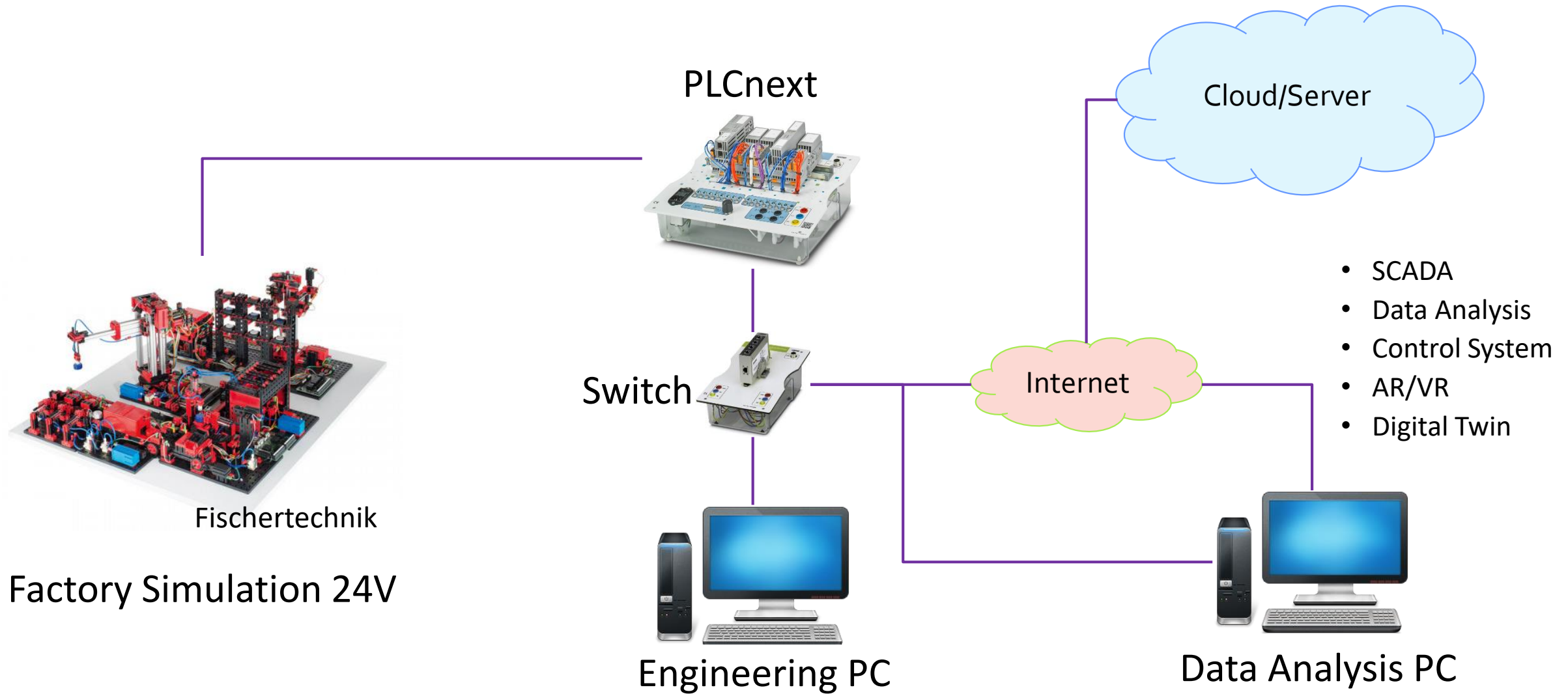


Co-funded by the Erasmus+ Programme of the European Union 



Universidad de Oviedo



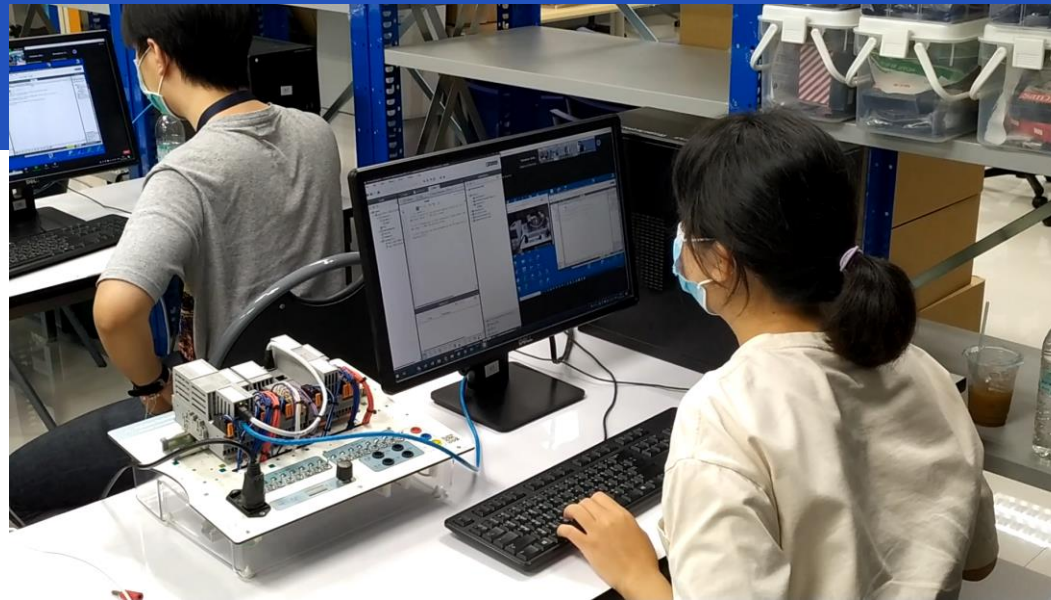


- The Smart Factory 4.0 Simulation learning environment
  - is used in learning and understanding industry 4.0 applications
  - depicts the ordering process, the production process and the delivery process in digitized and networked process steps
- Models included 4 main stations:
  - Sorting Line With Color Detection
  - Multi Processing Station With Oven
  - Automated High-Bay Warehouse
  - and Vacuum Gripper Robot
- This set needs 2 PLCnext for covering the required I/Os.

# Example



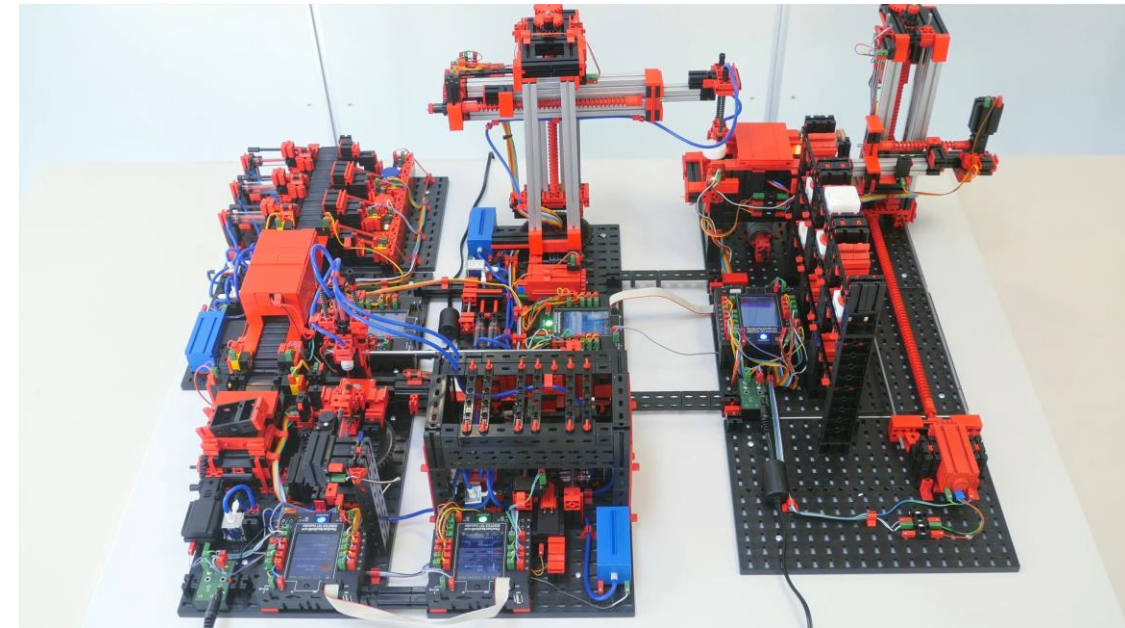
## BUU ETAT Training Center



PLCnext



Smart Factory 4.0 Simulation





**ETAT**

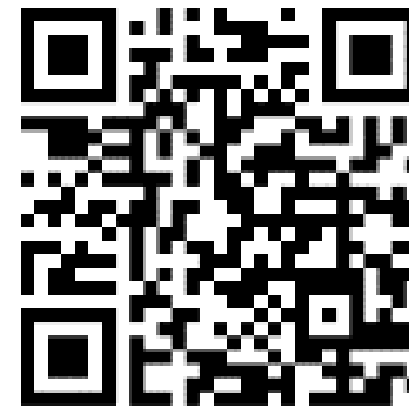


Thank you! 

**Moving towards Digital Era Surely with Us**  
**Faculty of Informatics @BUU**



[www.informatics.buu.ac.th](http://www.informatics.buu.ac.th)



[www.facebook.com/InformaticsBuu](https://www.facebook.com/InformaticsBuu)